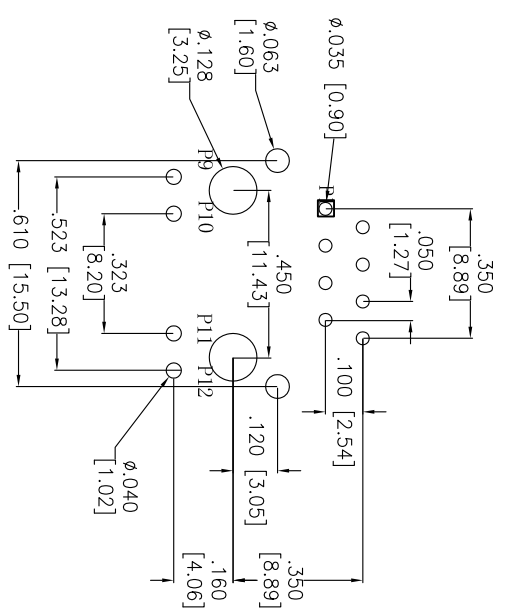
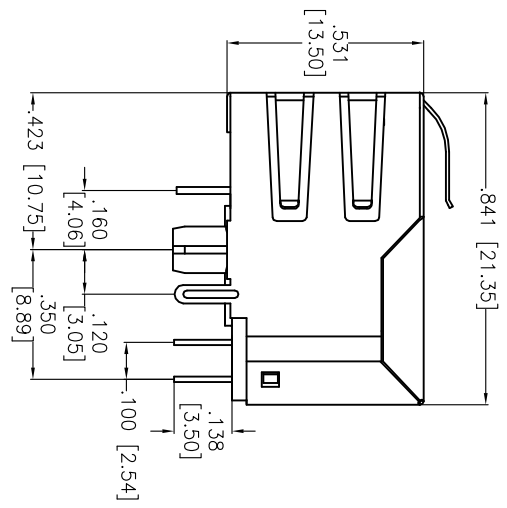
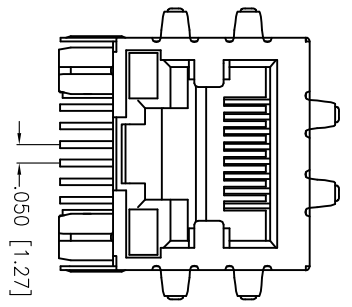
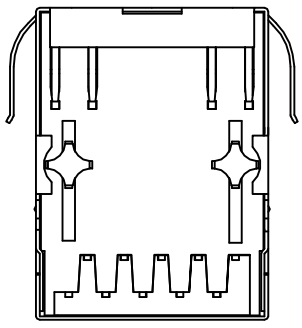


APPROVED: _____
 DATE: _____ TITLE: _____

Rev	AWO #	Description	Date	Appr
-		RELEASED	12/04/08	
A		REVISED PIN VIEW	11/16/09	



RECOMMENDED PCB LAYOUT



X	PLATING
0	15 µin Gold
1	30 µin Gold
2	50 µin Gold

SPECIFICATIONS:

Material:

Insulator: PBT, glass reinforced , thermoplastic, rated UL 94V-0

Insulator color: Black

Contacts: Copper Alloy

Shield: Copper Alloy, Nickel plated

Contact Plating:

Gold Flash over Nickel underplate on contact area,
 Tin over Copper underplate on tails

(See chart for thickness).

Electrical:

Operating voltage: 150 VAC max

Current rating: 1.5 Amps max

Contact Resistance: 20 mohms max. initial

Insulation resistance: 500 Mohms min @ 500 VDC

Dielectric withstanding voltage: 1000 VAC for 1 minut

Temperature Rating:

Operating temperature: 0°C to +70°C

Environmental:

Lead free, RoHS compliant.

Recommended soldering temp: 235°C for 5 sec.



UNLESS OTHERWISE SPECIFIED
 ALL DIMENSIONS ARE INCHES [MM]
 TOLERANCES: EXCEPT AS NOTED
 INCHES HOLES
 .X ± .10 Ø.X ± .10
 .XX ± .020 Ø.XX ± .015
 .XXX ± .015 Ø.XXX ± .010
 APPROVALS DATE

ADAM TECH
 909 Ratway Avenue, Union, NJ 07083
 Phone: 908-687-5000 Fax: 908-687-5710
 TITLE: MODULAR JACK GANGED, 1 PORT, 8P8C
 W/ LED1 GREEN, LED2 GREEN

DRAWN	DY	12/04/08
CHECKED		
APPROVED		

SIZE	PART NO.	REV.
X	MTJ-88TX1-FSD-PG+LD-M4	A
REF:	SCALE: NTS	SHEET 1 OF 2